



# ball valve Art. 620



**620**   
**62 F** 

F/F ball valve in hot forged brass  
with built-in check valve. Nickel plated.

**PN 16. Max.95°C.**

Ends threaded to ISO 228 (DIN 259 BSP 2779)  
and American standard NPT acc. to ANSI B 1.20.1.

Art. 620 with steel lever.

Art. 62 F with steel asymmetric T-handle.

**Sizes: from 1/2" up to 1"**

## WORKING PRESSURE

for water, air and non aggressive fluids (+25°C)  
minimum pressure for check valve opening

16 bar

30 mbar

## WORKING TEMPERATURE

Min. -20°C

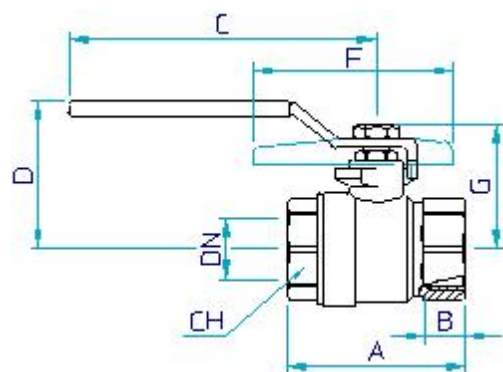
Max. +95°C

## TEST PRESSURE

seal pneumatic test

6,5 bar

## Dimensions



← flow direction

## COMPONENTS MATERIAL-TREATMENT

Component	Material-Treatment	Q.
Handle	Steel; Dacromet plated; PVC covered	1
Nut	Brass P-CuZn40Pb2; Nickel plated	1
Stem	Brass P-CuZn40Pb2	1
Packing gland	Brass P-CuZn40Pb2	1
Stem packing	P.T.F.E.	2
Washer	Brass P-CuZn40Pb2	1
Tailpiece	Brass P-CuZn40Pb2; Nickel plated	1
Ball seals	P.T.F.E.	2
Ball	Brass P-CuZn40Pb2; Chrome plated	1
Check valve	Acetalic resin	1
Body	Brass P-CuZn40Pb2; Nickel plated	1

Size	1/4"	3/8"	1/2"	3/4"	1"	1 1/4"	1 1/2"	2"
A	-	-	50	58	68	-	-	-
B	-	-	12	13	15	-	-	-
C	-	-	100	100	120	-	-	-
D	-	-	46	49	62	-	-	-

F	-	-	65	65	75	-	-	-
G	-	-	38	41	47	-	-	-
CH	-	-	25	31	38.5	-	-	-
DN	-	-	15	20	25	-	-	-
Gr.	-	-	199	279	438	-	-	-
<b>M. Carton</b>								
620	-	-	168	126	48	-	-	-
62 F	-	-	192	126	48	-	-	-