

# ball valve Art. 515

**brv** bonetti rubinetterie valduggia

Loc. Molino Rastelli, 2 I-13018 VALDUGGIA (VC) ITALY

Tel. +39 0163 48062 - Fax +39 0163 48188

http://www.brv.it - email: info@brv.it



**515**  
**515 F**

F/F full port ball valve with drain cock in hot forged brass. Nickel plated.

**PN 16. Max.95°C.**

Ends threaded to ISO 228 (DIN 259 BSP 2779).

Art. 515 with steel lever.

Art. 515 F with steel T-handle.

**Sizes: from 1/2" up to 1"**

## WORKING PRESSURE

for water, oil and non aggressive fluids (+25°C)

16 bar

## WORKING TEMPERATURE

Min. -20°C

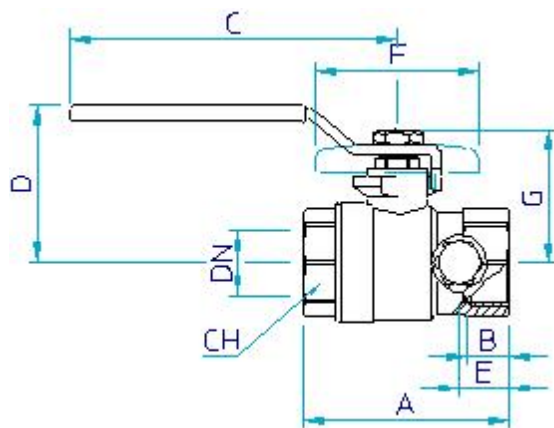
Max. +95°C

## TEST PRESSURE

seal pneumatic test

6,5 bar

## Dimensions



## COMPONENTS MATERIAL-TREATMENT

		Q.
Handle	Steel; Dacromet plated; PVC covered	1
Nut	Brass P-CuZn40Pb2; Nickel plated	1
Stem	Brass P-CuZn40Pb2	1
Packing gland	Brass P-CuZn40Pb2	1
Stem packing	P.T.F.E.	2
Washer	Brass P-CuZn40Pb2	1
Tailpiece	Brass P-CuZn40Pb2; Nickel plated	1
Ball seals	P.T.F.E.	2
Ball	Brass P-CuZn40Pb2; Chrome plated	1
Body	Brass P-CuZn40Pb2; Nickel plated	1
Drain cock and plug	Brass P-CuZn40Pb2; Nickel plated	1

Size	1/4"	3/8"	1/2"	3/4"	1"	1 1/4"	1 1/2"	2"
A	-	-	55	63	73	-	-	-
B	-	-	12	13	15	-	-	-
C	-	-	100	100	120	-	-	-
D	-	-	46	49	62	-	-	-
E	-	-	14.5	15.5	17.5	-	-	-
F	-	-	50	50	60	-	-	-
G	-	-	38	41	47	-	-	-

CH	-	-	25	31	38.5	-	-	-
DN	-	-	15	20	25	-	-	-
Gr.	-	-	252	334	502	-	-	-
<b>M.Carton</b>								
515	-	-	120	108	48	-	-	-
515 F	-	-	144	144	72	-	-	-