

Schéma d'application: bouteille montage horizontal

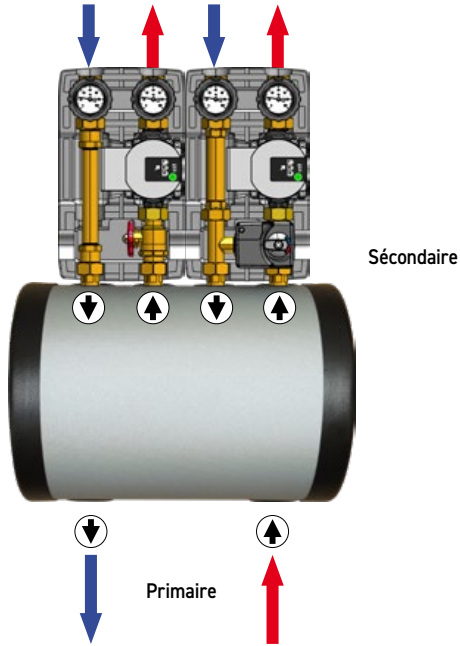
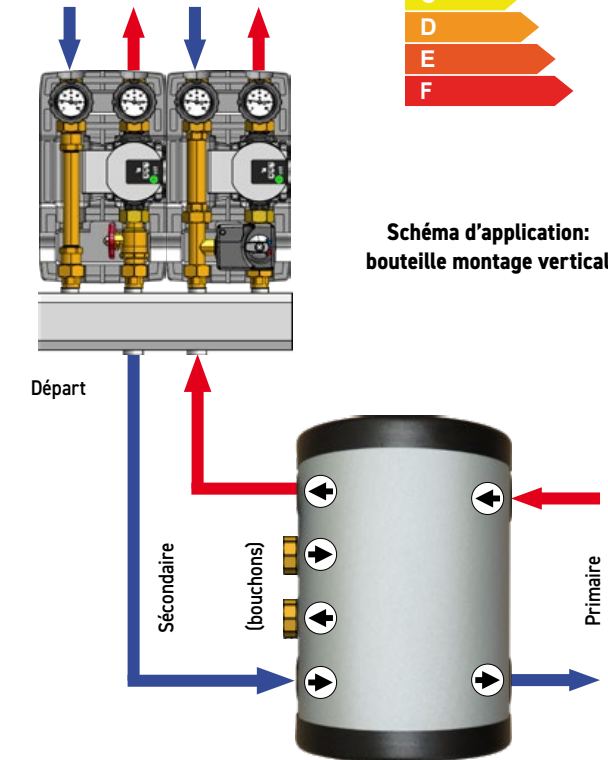
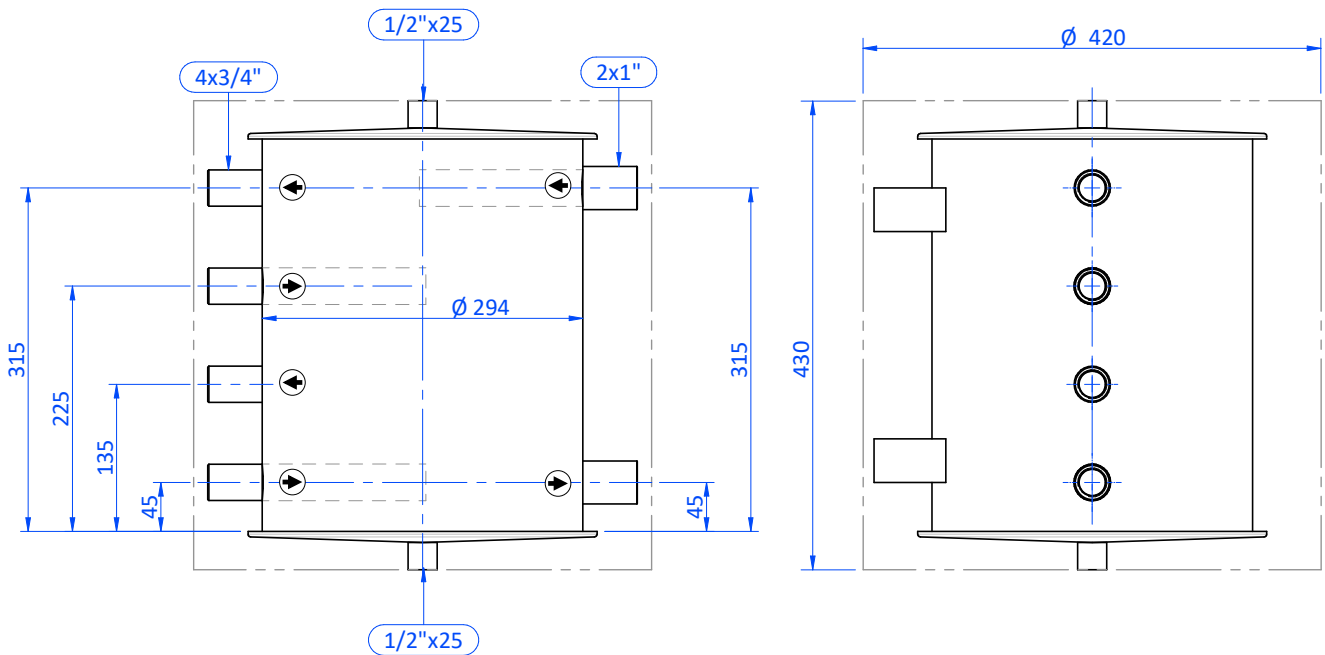


Schéma d'application: bouteille montage vertical

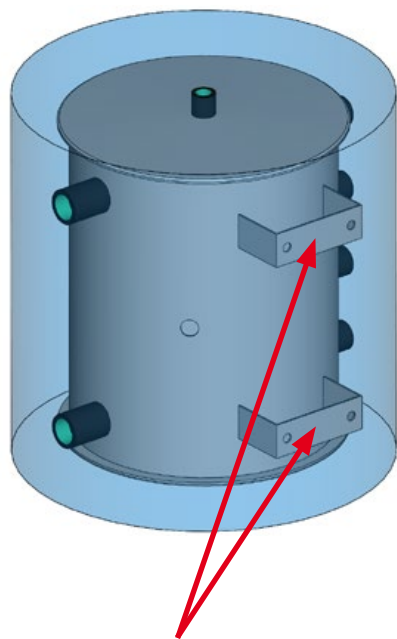


Bouchons non inclus dans la fourniture standard.

Dimensions



Code	Primary connection	Secondary connection	Pump units / center distance	Capacity	Working pressure	Max. working temperature	Min. working temperature	Pressure test
HWDN20/90-25	G 1" F	G 3/4" F	DN20 - 90 mm	25 L	6 bar	90°C	-10°C	9 bar



**Supports de fixation murale
fournis en standard.**

