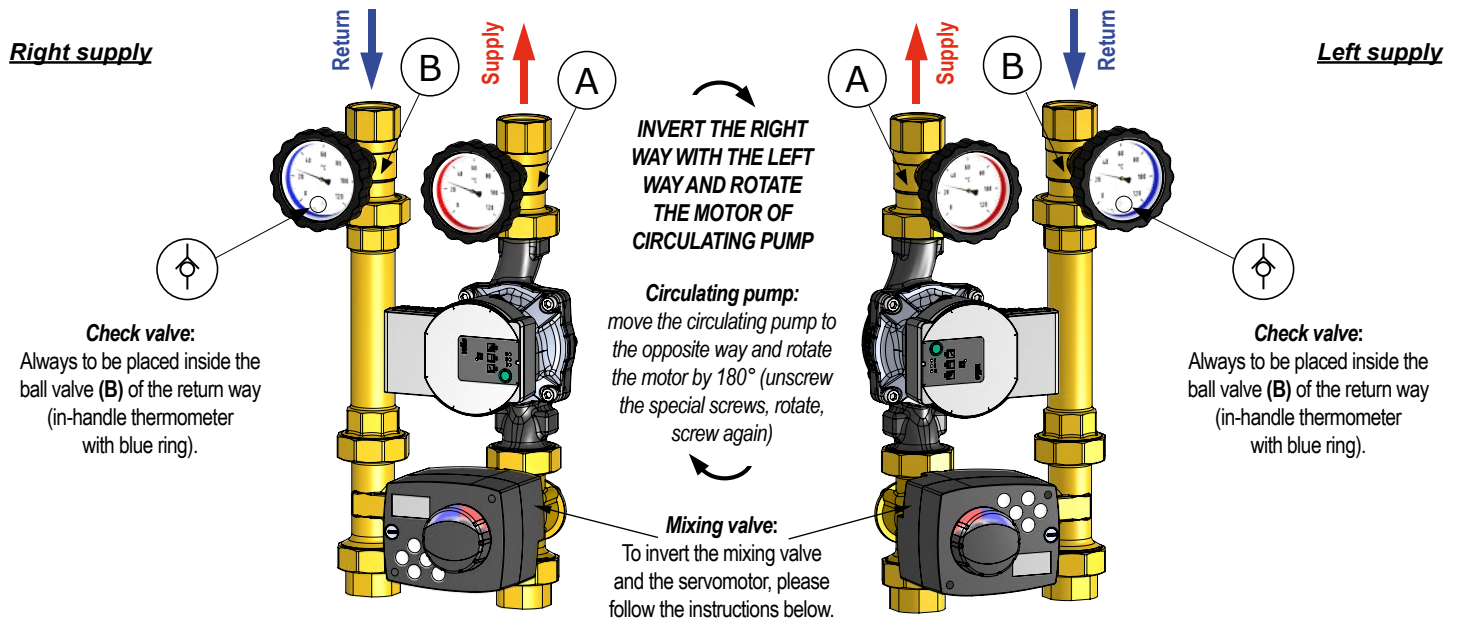


M2 MIX3 FIX MIXED PUMP UNITS - DN25 SERIES

INVERSION OF THE PUMP UNIT. LEFT SUPPLY.

All M2 MIX3 FIX pump units can be inverted to change the supply way from right side (the most popular execution) to the left side.



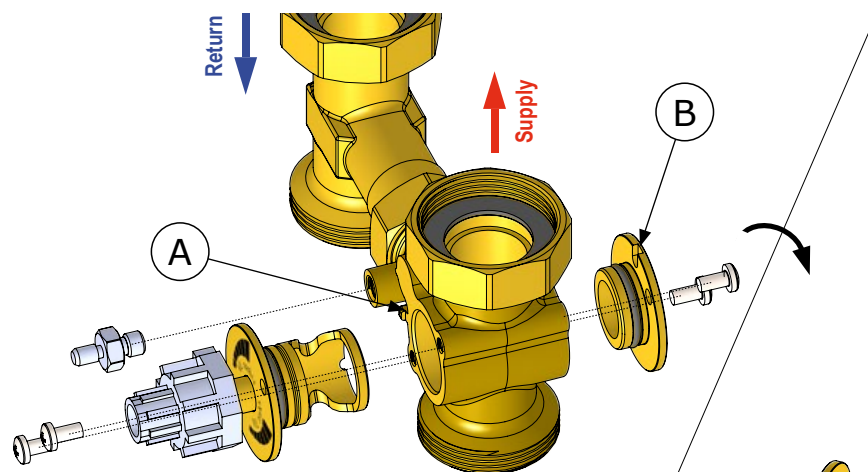
- (A) Ball valve on the supply way (in-handle thermometer with red ring)
- (B) Ball valve on the return way (in-handle thermometer with blue ring) with check valve

INSTRUCTIONS TO INVERT THE MIXING VALVE

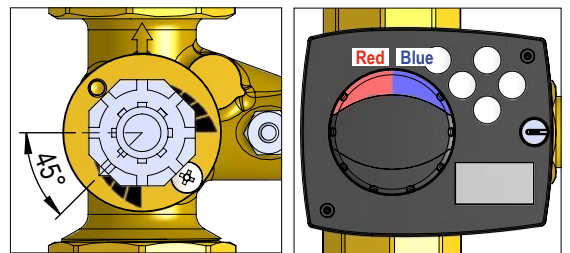
Inversion of the mixing valve from right to left supply. Please follow the directions:

1. Remove the servomotor
2. Remove the fixing screws of the rod plug and of the back plug; then take out the components as shown in the illustration
3. Mount again the components in the inverted position, following the illustrations and make sure to match the reliefs on the body (A) with the respective seats (B) for both plugs. Screw again the four fixing screws.
4. Place the knob indicator on the scale "VL links" for the left supply, or "VL rechts" for the right supply.
5. Reassemble the servomotor: for the configuration of the opening/closing direction, refer to the servomotor instructions.
6. Move the return temperature sensor, keeping it on the supply pipe.

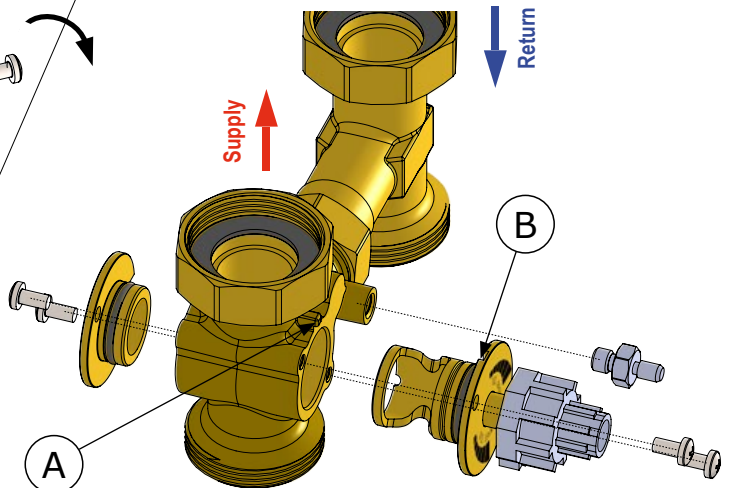
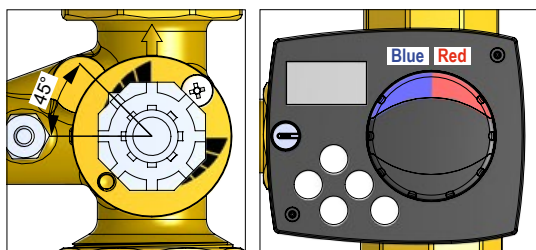
Right supply



Mounting of the servomotor: positioning at 45° of the rod:



Mounting of the servomotor: positioning at 45° of the rod:



Left supply